

Features

- Rite-Temp® pressure-balancing technology maintains water temperature within +/- 3°F.
- Advanced spray engine provides three alternative experiences: wide coverage, intense drenching, and powerful massage.
- Wide-coverage spray produces an encompassing spray for everyday use.
- Intense drenching spray delivers a forceful spray ideal for rinsing shampoo from hair.
- Targeted spray is a focused stream for targeting sore muscles or use as a utility spray.
- MasterClean™ sprayface features an easy-to-clean surface that withstands mineral buildup.
- Single lever handle allows for simultaneous on/off activation and temperature setting.
- 1.75 gpm (gallons per minute) showerhead flow rate.

Material

- Premium material construction for durability and reliability.
- Select KOHLER finishes feature ScratchShield® technology which withstands even the toughest daily use.

Water Conservation & Rebates

- This product can help a building earn Water Efficiency points in LEED® Green Building Rating System.

Recommended Products/Accessories

K-23723 Faucet cleaner

Included Components

Additional Components:

- 1.75 gpm showerhead
- Faceplate with lever handle
- Pressure-balancing valve
- Shower arm and flange



Codes/Standards

ASME A112.18.1/CSA B125.1
ASSE 1016/ASME A112.1016/CSA B125.16
DOE - Energy Policy Act 1992
EPA WaterSense®
California Energy Commission (CEC)

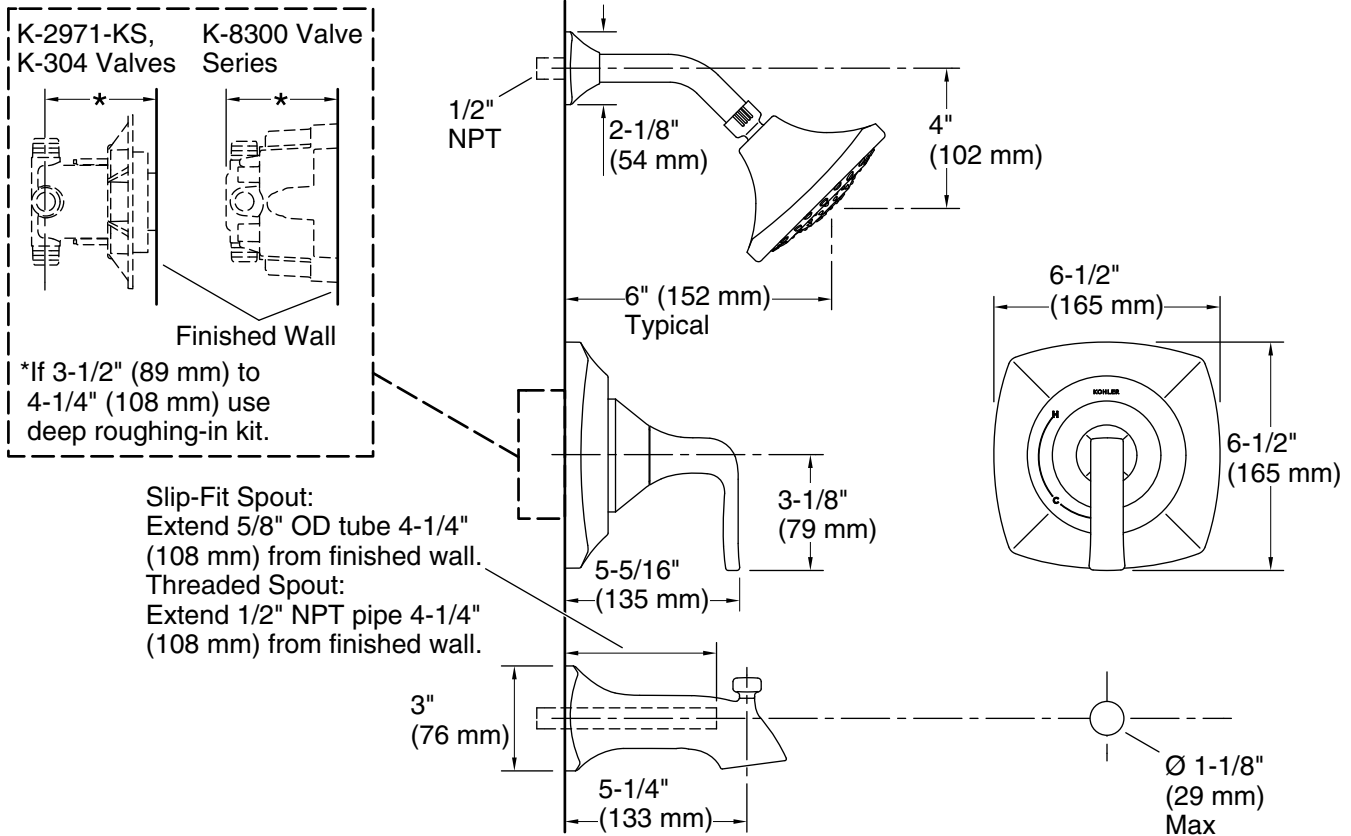
KOHLER® Faucet Lifetime Limited Warranty

See website for detailed warranty information.

Available Colors/Finishes

Color tiles intended for reference only.

Color	Code	Description
	CP	Polished Chrome
	BN	Vibrant® Brushed Nickel
	BL	Matte Black



Technical Information

All product dimensions are nominal.

Shower Valve:

Manufacturer's minimum rated flow: 1.6 gal/min (6.1 l/min)

Pressure: 45 psi (3.1 bar)

Maximum (Static) Pressure: 125 psi (8.6 bar)

Drain included: No

Showerhead/Body Spray:

Rated maximum flow: 1.75 gal/min (6.6 l/min)

Pressure: 45 psi (3.1 bar)

Notes

Install this product according to the installation instructions.

For use with showerheads or handsprays rated at 1.6 gal/min (6.1 l/min) or higher.

Install straight pipe or tube drop of 7" (178 mm) to 18" (457 mm) with single elbow between the valve and the wall-mount spout.

NOTICE: Risk of product damage. Long screws for installing trim can damage the K-2971-KS valve. Consult the trim installation guide to verify if the thin wall installation kit is needed.