

Features

- Single bowl.
- 11" depth provides generous workspace.
- Includes bamboo cutting board, two multipurpose grated racks, colander, and washbin.
- Three graduated ledges in basin allow you to place accessories at your preferred height.
- Accessories stack and slide on ledges for a custom arrangement.
- Beveled cone-shape basin slopes into drain, easily disposing debris.
- Medium size cutting board (10"x16") included with sink - covers 1/3 of sink.
- Also available: Large size cutting board 21"x16" – covers 2/3 sink.
- Includes installation hardware.

Material

- Premium 18-gauge stainless steel.

Installation

- Undermount.
- Minimum base cabinet width: 33"-36" (33" may require cabinet modifications).

Recommended Products/Accessories

- K-8801 Sink drain and strainer with tailpiece
- K-8799 Sink drain and strainer basket
- K-23726 Drain treatment
- K-23729 Stainless steel cleaner

Optional Products/Accessories

- K-11352 Disposal Flange with Stopper

Included Components

Product consists of:

- K-5542 Multipurpose Grated Rack
- K-5542 Multipurpose Grated Rack
- K-5541 Bamboo Cutting Board
- K-5544 Colander and Washbin

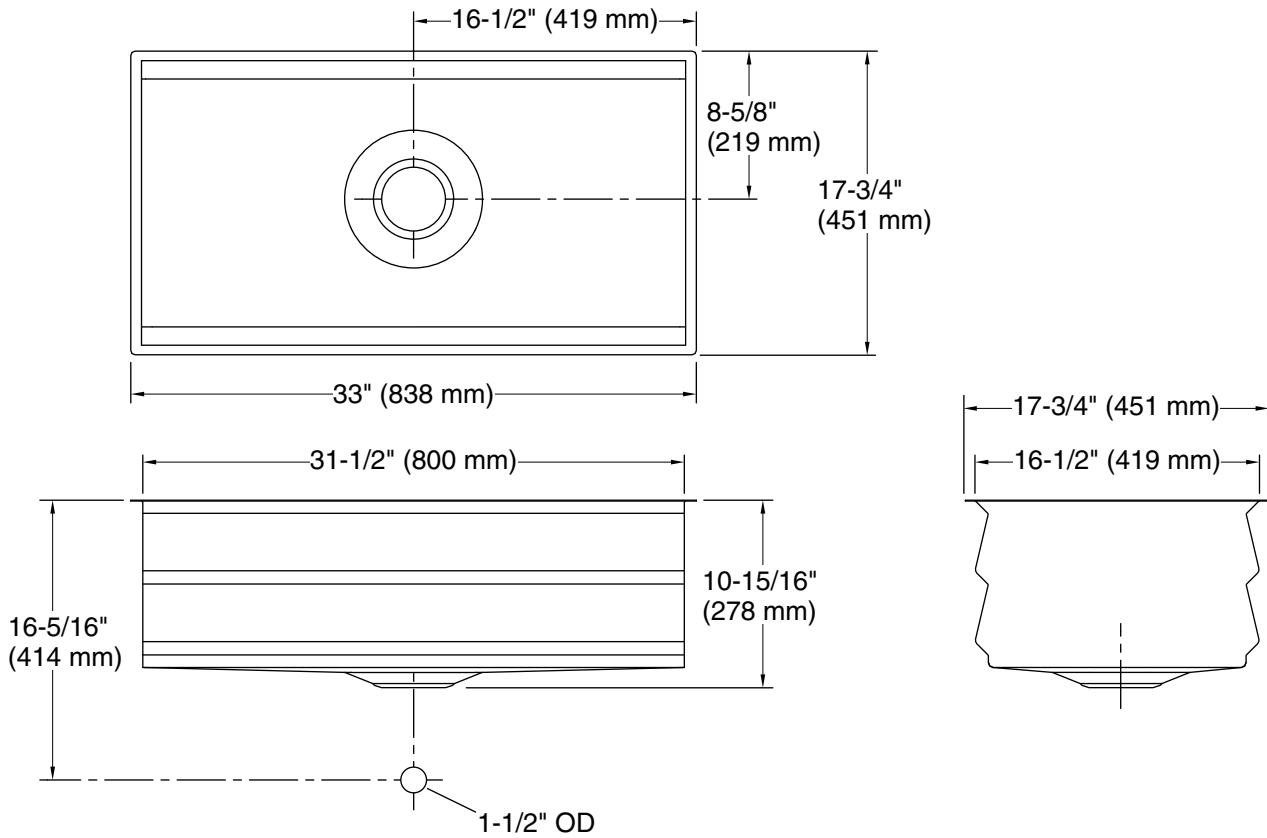


Codes/Standards

ASME A112.19.3/CSA B45.4

**Lifetime Limited Warranty
for KOHLER® Stainless Steel
Sinks**
**Lifetime Limited Warranty for
KOHLER® Stainless Steel Sinks**

See website for detailed warranty information.



Technical Information

All product dimensions are nominal.

Bowl configuration: Single

Installation: Under-mount

Min. base cabinet width: 36" (914 mm)

Bowl area (Only): Length: 31-1/2" (800 mm)
Width: 16-1/2" (419 mm)
Bowl depth: 10" (254 mm)
Water depth: 10" (254 mm)

Drain hole: 3-3/4" (94 mm)

Template: 1093327-7, required, included

Notes

Install this product according to the installation instructions.