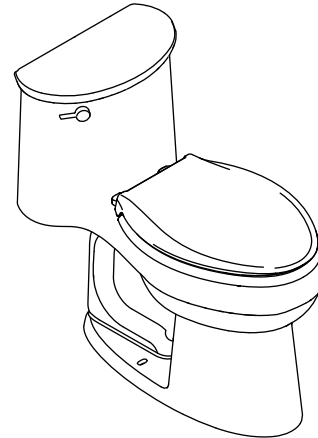


Features

- Vitreous china
- Elongated bowl
- Class Five® flushing system
- One-piece
- Includes seat and cover
- Less supply
- 12" (305 mm) rough-in
- 2-1/8" (54 mm) glazed trapway
- Left- or right-hand polished chrome trip lever
- 11" (279 mm) x 7-3/4" (197 mm) water area
- 28-9/16" (725 mm) x 16-5/16" (414 mm) x 28-7/16" (722 mm)

COMFORT HEIGHT® CLASS FIVE® TOILET K-3946

ADA CSA B651 OBC



Codes/Standards Applicable

Specified model meets or exceeds the following:

- ADA
- ICC/ANSI A117.1
- CSA B651
- OBC
- ASME A112.19.2/CSA B45.1
- EPA WaterSense®

Colors/Finishes

- 0: White
- CP: Polished Chrome
- PB: Vibrant® Polished Brass
- Other: Refer to Price Book for additional colors/finishes

Specified Model

Model	Description	Trip Lever	Colors/Finishes	
K-3946	Comfort Height Class Five Toilet (shown)	Left-hand	<input type="checkbox"/> 0	<input type="checkbox"/> Other _____
K-3946-RA	Comfort Height Class Five Toilet	Right-hand	<input type="checkbox"/> 0	<input type="checkbox"/> Other _____

Recommended Accessories				
K-4650	Lustra™ elongated open-front toilet seat – for Accessibility compliance		<input type="checkbox"/> 0	<input type="checkbox"/> Other _____
K-7637	Angle supply with stop – 3/8" NPT	<input type="checkbox"/> CP	<input type="checkbox"/> PB	<input type="checkbox"/> Other _____
Optional Accessories				
K-9466-L	Left-hand trip lever (non-CP finish)		<input type="checkbox"/> PB	<input type="checkbox"/> Other _____
K-9466-R	Right-hand trip lever (non-CP finish)		<input type="checkbox"/> PB	<input type="checkbox"/> Other _____

Product Specification

The elongated one-piece toilet shall be made of vitreous china. Toilet shall be 28-9/16" (725 mm) in length, 16-5/16" (414 mm) in width, and 28-7/16" (722 mm) in height with an 11" (279 mm) by 7-3/4" (197 mm) water area. Toilet shall be 12" (305 mm) rough-in with a 2-1/8" (54 mm) glazed trapway. Toilet shall be 1.28 gpf (4.8 lpf) per flush with Class Five flushing system. Toilet shall include a left- or right-hand polished chrome trip lever, seat and cover. Toilet shall be less supply. Elongated one-piece toilet shall be Kohler Model K-3946-_____ or K-3946-RA-_____.

Technical Information

Fixture:	
Configuration	one-piece, elongated
Water per flush	1.28 gpf (4.8 lpf)
Passageway	2-1/8" (54 mm)
Water area	11" (279 mm) x 7-3/4" (197 mm)
Water depth from rim	6-1/16" (154 mm)
Seat post hole centers	5-1/2" (140 mm)
Included components:	
Tank cover	1180586
Trip lever, left-hand	K-9466-L OR
Trip lever, right-hand	K-9466-R
Toilet seat	K-4636
Tank accessory pack	52265
Bolt cap accessory pack	52048

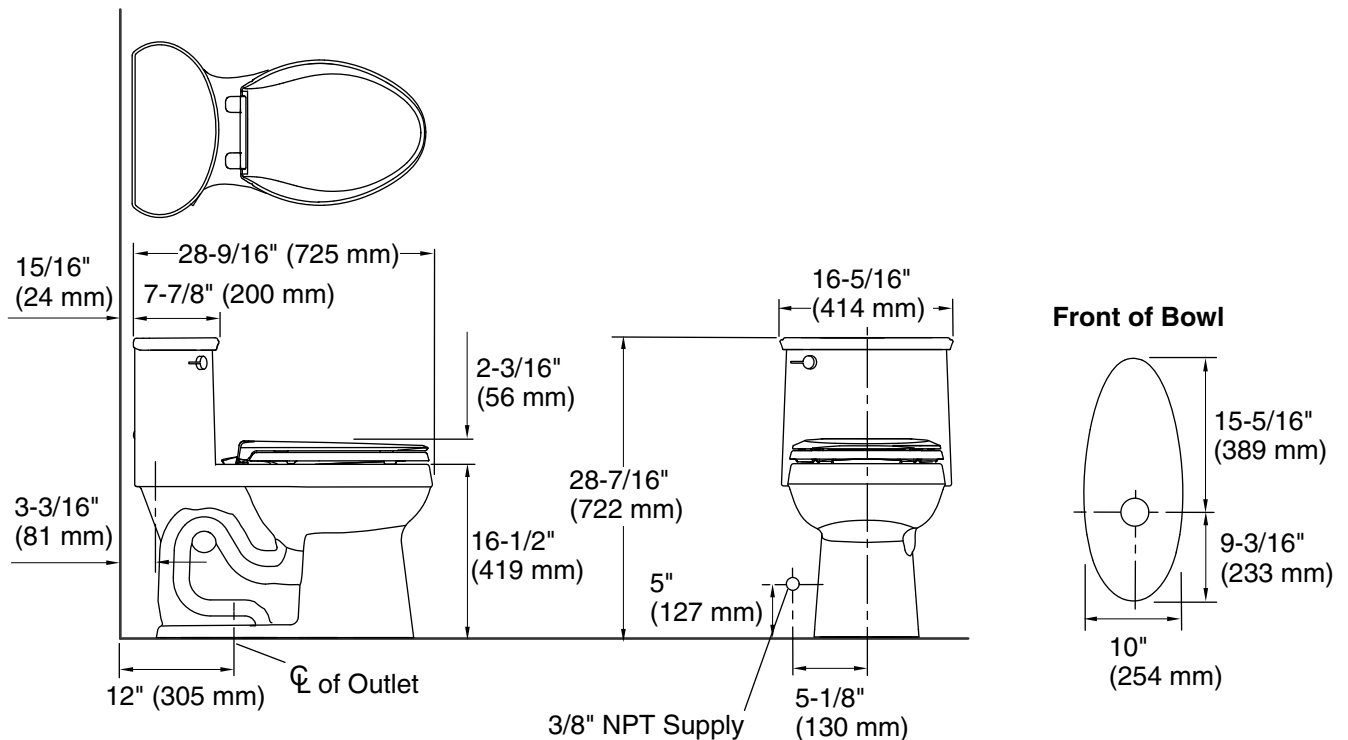
Installation Notes

Install this product according to the installation guide.

Will comply with the Americans with Disabilities Act (**ADA**) when installed per the requirements of the 2010 ADA Standards for Accessible Design, Section 604 Water Closets and Toilet Compartments, of the Act. The Model Plumbing Codes require the installation of elongated open-front toilet seats in public bathrooms.

Will comply with **CSA B651** when installed per Clause 4.3.6 of the standard.

Will comply with **OBC** when installed per Clause 3.8.3.8 and 3.8.3.9.



Product Diagram